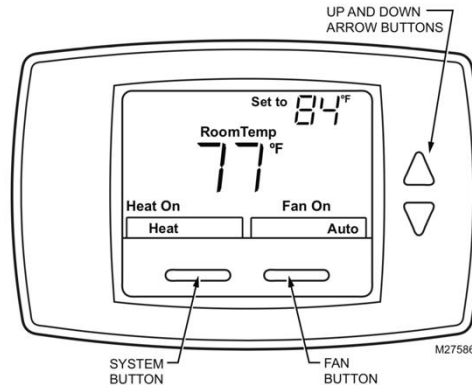


## HONEYWELL TB6575A1000/TB8575A1000 SuitePRO

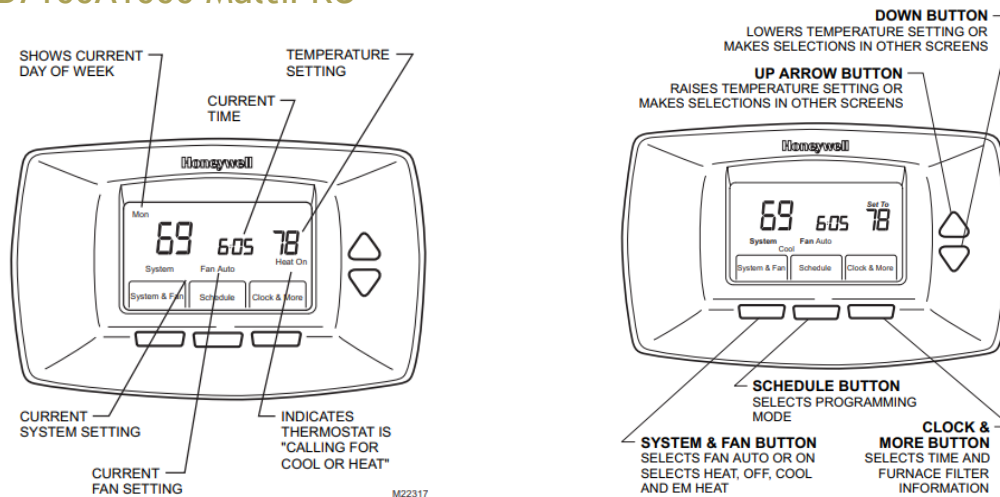


- Your fan coil is installed with the Honeywell TB6575A1000/TB8575A1000 SuitePRO Thermostat.
- The thermostat will display two sets of temperatures, the current room temperature (middle) and the desired temperature (to the top right).
- The desired temperature can be set or adjusted with the up and down arrows on the right side of the thermostat
- The bottom of the thermostat contains two buttons:
  - The bottom left button is the system button and controls which mode your system will run in
    - HEAT - Thermostat control the heating system (With a 2-pipe system, in the winter this setting should be used when your building provides heated water)
    - OFF - Both heating and cooling systems are off
    - COOL - Thermostat controls the cooling system (With a 2-pipe system, in the summer this setting should be used when your building provides chilled water)
    - AUTO- This setting will switch between both heating and cooling settings based on the variation from room temperature and desired temperature (only recommended with a 4-pipe system)
  - The bottom right button is the fan button and controls which fan speed your system will run in
    - HIGH - The fan will run on high speed constantly (or until turned off)
    - MEDIUM - The fan will run on medium speed constantly (or until turned off)
    - LOW- The fan will run on low speed constantly (or until turned off)
    - AUTO- The fan will run automatically and turn off once the room temperature equals the desire temperature.
- Ultimately, it is recommended to keep the fan option in AUTO mode for optimal performance

*For full instructions, please download a pdf. file of your Honeywell TB7100A1000 MultiPRO Thermostat found here:*

<https://customer.honeywell.com/resources/Techlit/TechLitDocuments/62-0000s/62-0278.pdf>

## HONEYWELL TB7100A1000 MultiPRO



- Your fan coil is installed with the Honeywell TB7100A1000 MultiPRO Thermostat.
- The thermostat will display two sets of temperatures, the current room temperature (to the left) and the desired temperature (to the right).
- The desired temperature can be set or adjusted with the up and down arrows on the right side of the thermostat.
- The bottom of the thermostat contains three buttons:
  - The bottom left button is the system which controls which mode your system will run in and fan button which will determine your fan operation
    - FAN ON - runs fan constantly
    - FAN AUTO - runs fan automatically; turns off when reached desired temperature
    - HEAT - Thermostat control the heating system
    - OFF - Both heating and cooling systems are off
    - COOL - Thermostat controls the cooling system
    - AUTO- This setting will switch between both heating and cooling settings based on the variation from room temperature and desired temperature (only recommended with a 4-pipe system)
  - The center button is the schedule button used to select programming modes.
    - Programming Heating and Cooling Schedule - The thermostat can control up to four different schedule periods per day and each are at 15-minute intervals.
      - Occupied1 - Work arrival time. Period to keep space at a comfortable temperature.
      - Unocc1 - Work exit time. Period to keep space at an energy-saving temperature.
      - Occupied2 - Second occupied period.
      - Unocc2 - Second unoccupied period
  - The bottom right button is used to control the clock and other features such as time and filter information.
    - The thermostat is designed to, under normal use, automatically keep the current time and day in the memory for up to ten years once the calendar is set.

For full instructions, please download a pdf. file of your Honeywell TB7100A1000 MultiPRO Thermostat found here: <https://customer.honeywell.com/resources/techlit/TechLitDocuments/63-0000s/63-2674.pdf>

